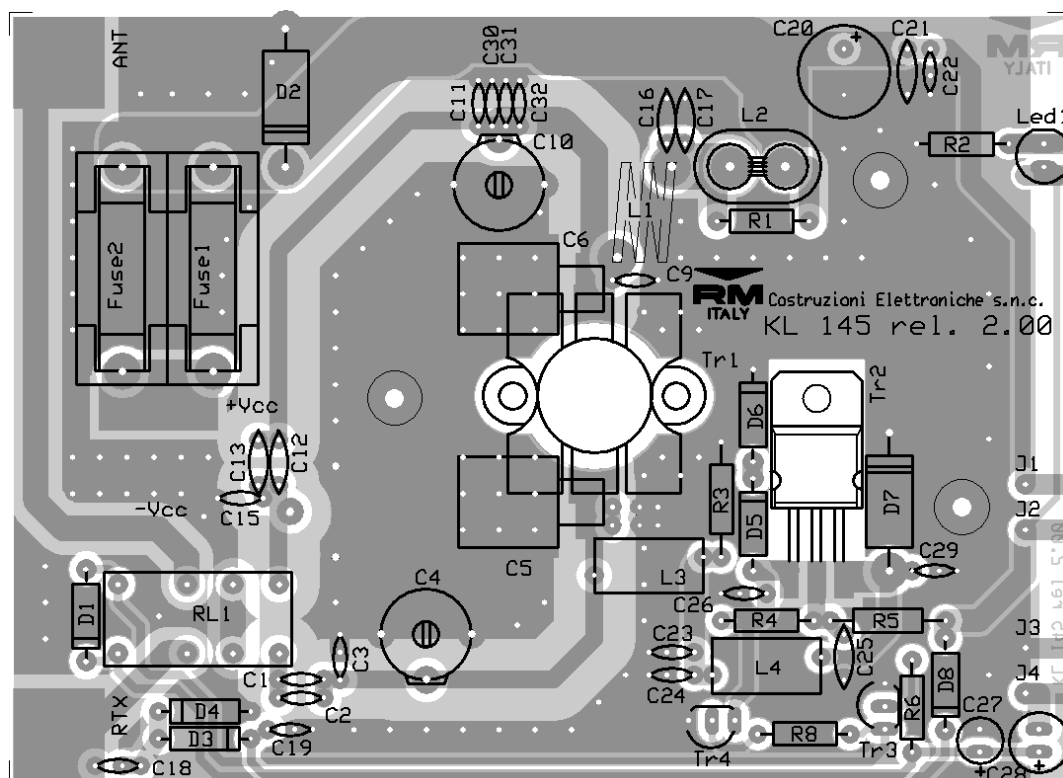
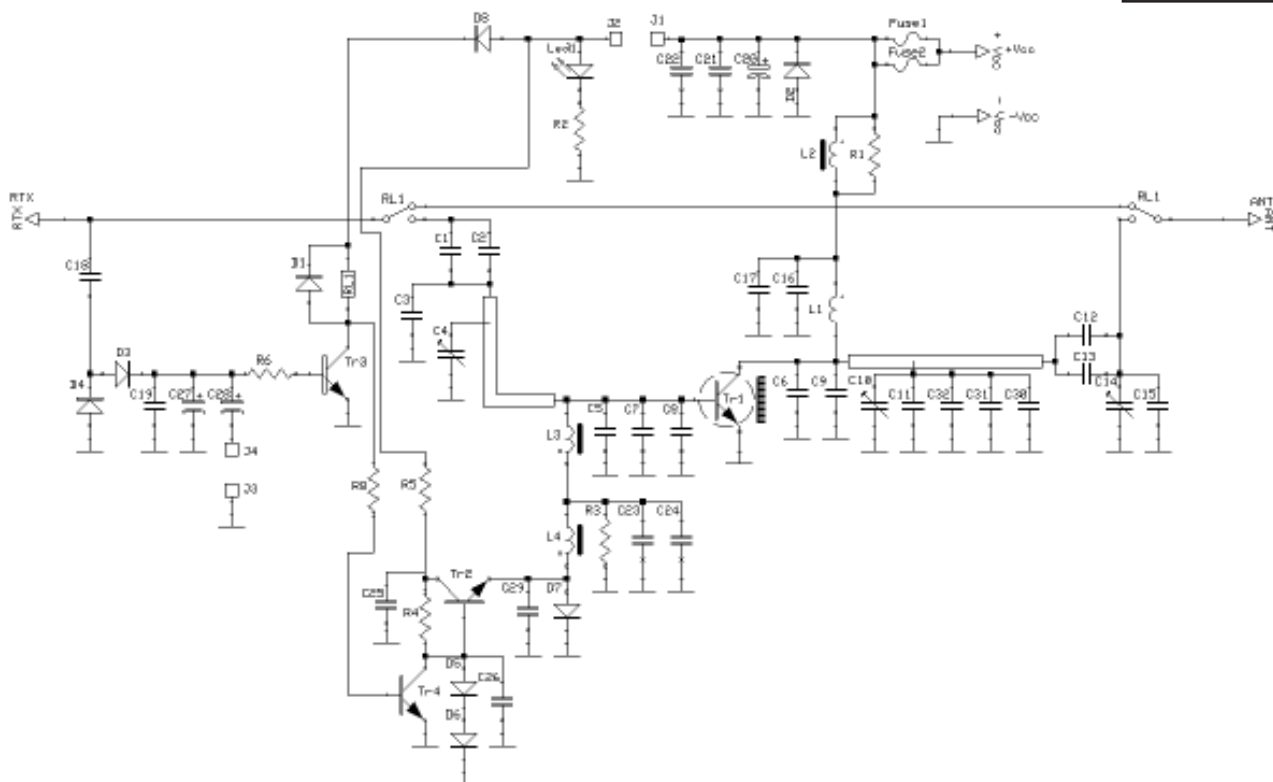


Mod. 145 High linear amplifier

Schematic diagram

Version 2.00



List of components

C ₁	= 100 pF	50 V	NP0	Tr ₂	= BD 241 BFP
C ₂	= 100 pF	50 V	NP0	Tr ₃	= BC 547
C ₃	= 22 pF	50 V	NP0	Tr ₄	= BC 547
C ₄	= Trimmer	5.5 - 65 pF	Philips giallo	L ₁	= 3 turns ϕ 8 mm wire ϕ 1.5 mm
C ₅	= 270 pF	500 V	Micaplacchetta	L ₂	= 2 turns 3 wire ϕ 0.63 on ANRA 41 balum
C ₆	= 390 pF	500 V	Micaplacchetta	L ₃	= VK200
C ₇	= Not present			L ₄	= VK200
C ₈	= Not present			RI	= Relè 12 V 3022
C ₉	= 33 pF	500 V	NP0	Fuse ₁	= Fuse ₂ = 2 x 8A
C ₁₀	= Trimmer	5.5 - 65 pF	Philips giallo		
C ₁₁	= 15 pF	500 V	NP0		
C ₁₂	= 2,2 nF	500 V	J		
C ₁₃	= 2,2 nF	500 V	J		
C ₁₄	= Not present				
C ₁₅	= 22 pF	500 V	NP0		
C ₁₆	= 2,2 nF	500 V	J		
C ₁₇	= 1,0 nF	500 V	J		
C ₁₈	= 2,2 pF	50 V	NP0		
C ₁₉	= 1,0 nF	50 V	J		
C ₂₀	= 470 μ F	25 V			
C ₂₁	= 100 nF	50 V	J		
C ₂₂	= 1,0 nF	50 V	J		
C ₂₃	= 1,0 nF	50 V	J		
C ₂₄	= 220 nF	63 V	Multilayer		
C ₂₅	= 1,0 nF	50 V	J		
C ₂₆	= 1,0 nF	50 V	J		
C ₂₇	= 2,2 μ F	16 V			
C ₂₈	= 33 μ F	16 V			
C ₂₉	= 1,0 nF	50 V	J		
C ₃₀	= 15 pF	500 V	NP0		
C ₃₁	= 15 pF	500 V	NP0		
C ₃₂	= Not present				
R ₁	= 10 Ω	$\frac{1}{4}$ W			
R ₂	= 1,0 K Ω	$\frac{1}{4}$ W			
R ₃	= 4,7 Ω	$\frac{1}{2}$ W			
R ₄	= 1,2 K Ω	$\frac{1}{4}$ W			
R ₅	= 1,0 Ω	$\frac{1}{2}$ W			
R ₆	= 2,2 K Ω	$\frac{1}{4}$ W			
R ₈	= 10 K Ω	$\frac{1}{2}$ W			
D ₁	= 1N4007				
D ₂	= 1N5400				
D ₃	= D ₄	= 1N4148			
D ₅	= D ₆	= 1N4007			
D ₇	= 1N5400				
D ₈	= 1N4007				
Led ₁	= Red Led				
Tr ₁	= SD1477				