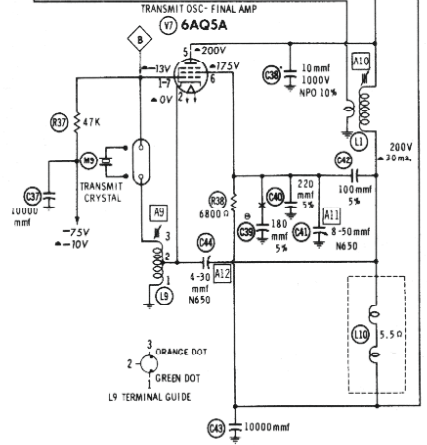
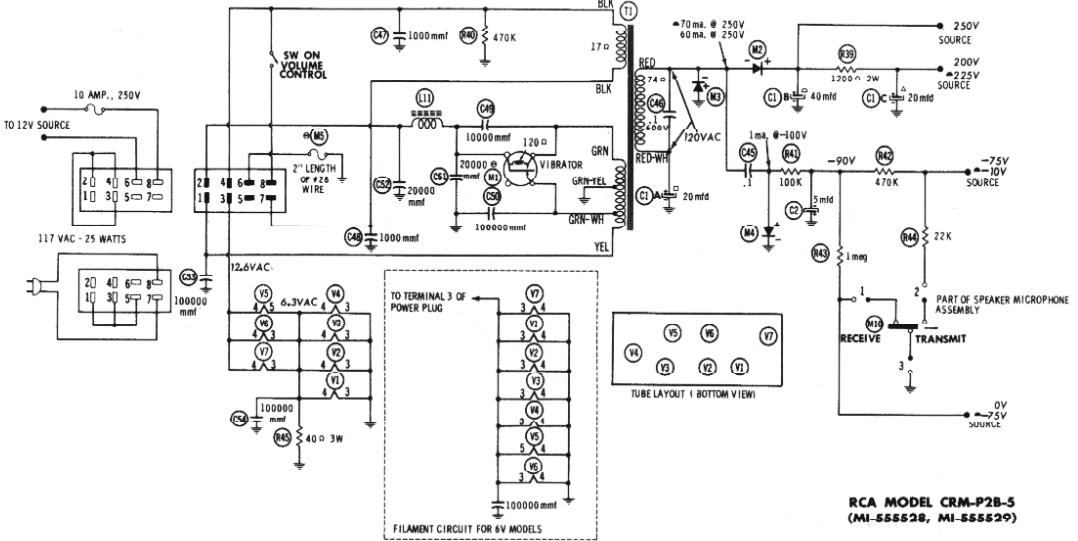


NUMBERS ASSIGNED TO COILS, SWITCHES, PLUGS, SOCKETS, AND TRANSFORMERS ARE TO FACILITATE CIRCUIT TRACING OR COMPONENT REPLACEMENT AND MAY NOT NECESSARILY BE FOUND ON THE UNIT.



ITEM	TUBE	Pin 1	Pin 2	Pin 3	Pin 4	Pin 5	Pin 6	Pin 7	Pin 8	Pin 9
V1	6BA6	3meg	0.0	0.0	.1.0	15900	153K	68.0		
V2	6BE6	47K	0.0	0.0	.1.0	123K	123K	470K		
V3	6BA6	2.7meg	0.0	0.0	.1.0	13400	150K	68.0		
V4	6BA6	2.7meg	0.0	0.0	.1.0	13400	150K	68.0		
V5	6T8A	500K	240K	NC	.1.0	1.3meg	0.0	9.5meg	1470K	
V6	6AQ5A	NC	330.0	.1.0	.1.0	1400.0	11200.0	470K		
V7	6AQ5A	70K	.1.0	.1.0	.1.0	11400.0	17800.0	NC		

ALL MEASUREMENTS MADE IN "RECEIVE" POSITION UNLESS OTHERWISE DESIGNATED.
 † MEASURED FROM OUTPUT OF M2.
 NC NO CONNECTION



- DC voltage measurements taken with vacuum tube voltmeter; AC voltages measured with 1000 ohm per volt voltmeter.
- Socket connections are shown as bottom views.
- Dimensional values are those called for in drawings, ground.
- Line voltage maintained at 117 volts for voltage readings.
- Nominal tolerance on component values makes possible a variation of 15% in voltage and resistance readings.
- Volume control at maximum; no signal applied for voltage measurements.

SEE PARTS LIST FOR ALTERNATE VALUE OR APPLICATION
 DC COIL RESISTANCE VALUES UNDER ONE OHM NOT SHOWN ON SCHEMATIC DIAGRAM
 ARROWS ON CONTROLS INDICATE CLOCKWISE ROTATION (CONTROL VIEWED FROM SHAFT END)