

MT-5050

MULTISTANDARD
HANHDELD TRANSCEIVER
(PMR446 / LPD433 BANDS)

OWNER'S MANUAL

MANUALE DI
ISTRUZIONI



INTEK®

Index

Contents	1
Introduction	2-3
Contents of Package	3
Battery Operation	4
Controls and Indicators	6-10
Operation	11-17
Specifications	18
Optional Accessories	18
Important Informations	19
Declaration of Conformity	20
User Information	20

IMPORTANT !

It is recommended to carefully read this instruction manual throughout, before using the radios. This also in order to prevent you from using the radios out of the limits stated by the regulations.

IMPORTANT !

The maximum operating range will vary depending on terrain and environment. Range will be usually greater in open fields. While range is usually shorter within and around buildings or large structures. This unit may not ensure privacy of communication.



Congratulations !

Congratulations on your selection and purchase of this high quality product. With proper care and adherence to the set-up and user instructions in this Owner's Manual, this unit will let you enjoy years of trouble-free service.

We are committed to providing quality products that fit your needs, however we would like to receive any comments or suggestions that you might have on this product, which will help us in continuous improvement of the quality.

Applications

The MT-5050 is a compact design two-way communication device, operating on the PMR 446 MHz and on the LPD 433 MHz European bands. **Radio must be operated on the band (PMR446 or LPD433) and on the channels allowed in the country where the product is been used, in accordance with the local regulations.** It can be used to provide immediate, high quality, cost free 2-way communication, for both business or personal use, it is the ideal communication tool for many applications, like :

- Industry
- Construction Sites
- Shops, Stores & Shopping Malls
- Warehouses & Buildings
- Hotels & Resorts
- Safety & Emergency
- Baby Monitor
- Sport & Leisure
- Sporting Events, Concerts, Meetings
- Bike & Motorcycle Riding
- Kids and old personsControl
- Camping and Hiking
- Indoor & Outdoor Activities
- Sailing and Sports Flight

MT-5050EX (INTERNATIONAL VERSION)

Items in this manual that are marked (MT-5050EX) refer only to model INTEK MT-5050EX. Functions marked (MT-5050EX) are not available in model MT-5050 (EUROPEAN VERSION). Model MT-5050EX is not available in the European market.

Introduction - Contents of Package

Features and Benefits

The radio includes a number of advanced features, nevertheless its operation is user friendly and you may get familiar with it, after few minutes of use.

Please refer to the following list of the main features in this two-way radio :

- 8 PMR Channels + 69 LPD Channels
- 30 PMR Simplex Channels + 99 LPD Simplex channels (MT-5050EX)
- 20 PMR/LPD Semi-Duplex Channels (MT-5050EX)
- 38 CTCSS Codes
- Roger Beep Tone
- Keypad Program Tone
- 8 Memory Channels
- Keypad Lock
- Adjustable Digital Squelch
- Monitor
- Auto Power Save Circuit
- VOX (Baby Room Monitor) / Handsfree Use
- Dual Watch function
- Adjustable Hi-LO Transmitter Power (PMR band)
- Channel / Memory Scan
- Channel / CTCSS Tone Memory
- 3 Selectable Call Tone Melodies
- Large Size Back Lighted LCD Display
- Battery Level Indication
- Digital S/RF Meter
- Scrambler Function (MT-5050EX)
- External Earsset-Microphone Jack
- Wall Charger Jack

Contents of Package

Please carefully check that the package contains the following items :

- 1 x Main Unit (Radio with Antenna)
- 5 x 1.2V 1500mAh Ni-MH Battery
- 1 x 230VAC Wall Charger
- 1 x Belt Clip
- 1 x User Manual (this one)

Installing and Checking Batteries

Slide down and remove the battery door (17) and to access the battery room. Set the battery type switch (18) according to the type of used batteries (**Ni** for rechargeable batteries and **AL** for alkaline batteries). Install 5 x AA size alkaline batteries or rechargeable batteries and pay attention to install it with the correct polarity as indicated in the battery room. Switch ON radio by turning the OFF/VOL (2) control and check the battery level on the battery level indicator (E), 4 bars mean full charge, 3 bars mean normal charge, 2 bars mean half charge and 1 bar means low battery condition. When the battery capacity is low, the Battery Indicator (E) and **bt Lo** (N) indication will flash on the LCD display. Recharge or replace the batteries at this time. Please refer to the following item BATTERY CHARGING.

Battery Charging

When the battery capacity is low, switch OFF the radio and connect the supplied battery travel to the CHARGE jack (4), then plug it into the 230VAC outlet. To obtain the maximum performance from the batteries, recharge them only when they are fully discharged. The charging time depends on the capacity of the used batteries, it is approximately 12 hours for one set of Ni-MH batteries (1200-1500mAh). When the charging time has expired, unplug the charger from the AC outlet and then disconnect it from the radio.

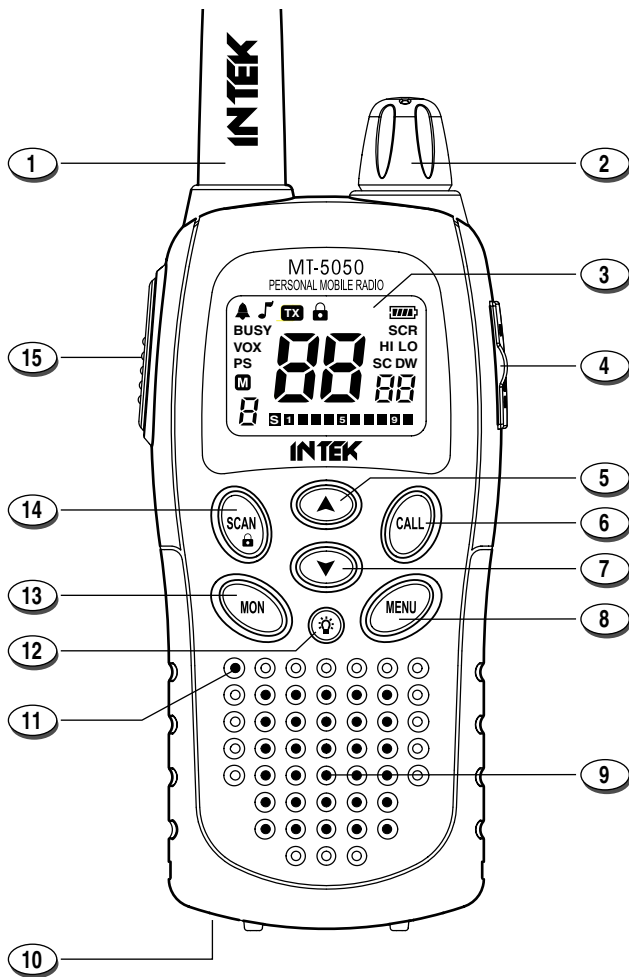
WARNING !

1. Only Ni-MH (or Ni-CD) batteries may be recharged.
2. Do never try to recharge alkaline batteries, as this might cause damage to the radio or explosion of the batteries.
3. Set the battery type selector (18) to Ni.
4. Always switch OFF radio before starting the battery charging process.
5. Do not recharge batteries for more than 13-14 hours, in order to avoid overcharge or overheating, which could cause damage to the radio.
6. Use only the enclosed battery charger or original INTEK battery chargers.

Controls and Indicators

English

Front Panel



1. Antenna

High efficiency rubber antenna.

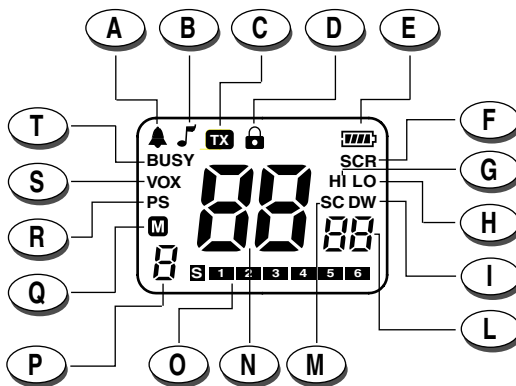
2. OFF/VOL (OFF/Volume) Control

This knob switches the radio ON and OFF and it adjusts the volume control. If no signals are being received on the operating channel, it is suggested to open the SQUELCH and adjust the volume to the desired level while listening to the background noise.

3. LCD Display

Large size LCD display with green color backlight function for best readability in darkness. The large 6-line LCD indicates simultaneously all the programmed settings and all the enabled functions. Digital 10-bar S/R/F/MOD Meter and 4-bar battery level indicator.

LCD Display



A. Keypad Program Tone Icon

The Keypad Program Tone Icon (A) is lighted when the keyboard tone function is enabled.

B. Roger Beep Icon

The Roger Beep Icon (A) is lighted when the Roger Beep function is enabled.

C. TX Icon

The TX (C) icon is lighted when radio is in the transmit mode.

D. LOCK Icon

The LOCK (D) icon is lighted when the keypad lock function has been enabled.

E. Battery Level Indicator

It shows the current battery level condition.

F. SCR Icon (MT-5050EX)

The SCR Icon (F) is lighted when the SCRAMBLER function is enabled.

G. HI Icon

The HI icon (G) is lighted when the transmitter is in the HIGH POWER mode (PMR channels only).

H. LO Icon

The LO icon (G) is lighted when the transmitter is in the LOW POWER mode (PMR channels only).

I. DW Icon

The DW icon is lighted when the DW (DUAL WATCH) function has been enabled, in order to automatically monitor two different channels.

L. CTCSS Code Number

It shows the selected CTCSS Code Number.

M. SC Icon

The SC icon (M) is lighted when the SCAN function has been enabled, in order to automatically search busy channels or busy memory channels.

N. Channel Number

It shows the selected channel, from P1 to P8 (PMR channels) and from 01 to 69 (LPD channels).

O. S/R/F Digital Bar Meter

The 6-bar digital meter indicates the received signal strength (S0 to S6) in the receive mode. It indicates the transmitter RF output power in the transmit mode.

P. Memory Channel Number (1-8)

It indicates the selected memory channel number, total 8 memory channels are available (1-8).

Q. Memory Icon

The M Icon (Q) is lighted when the radio is in MEMORY MODE.

R. PS Icon

The PS Icon (R) is lighted when the Automatic Power Save Circuit has been enabled.

S. VOX Icon

The VOX Icon (S) is lighted when the VOX (handsfree use) function is enabled.

T. BUSY Icon

The BUSY Icon (T) appears when radio is receiving a signal or when Squelch is open.

4. Earset-Microphone-Charge Jack

Connect an external earset-microphone to this jack. Connect the supplied 230VAC battery travel charger to this jack.

WARNING !

Use only original accessories. Connecting and using accessories other than the original ones, may cause serious damage to the radio and will void the warranty.

Always set the volume to minimum before connecting an external earset, in order to avoid damaging the earset or the user's ear.

5. UP Key

The UP (5) key is used to change channel, CTCSS Code and toggle setting in Menu mode.

6. CALL / CONFIRM Key

Press the CALL (6) key to transmit a musical Call Alert Tone. In the MENU MODE press this key to confirm the function selection.

7. DOWN Key

The DOWN (7) key is used to change channel, CTCSS Code and toggle setting in Menu mode.

8. MENU / MEMORY key

Use the MENU (8) key to enable and program the various functions of the radio. Pressing the MENU (8) key will scroll the various functions. Press and hold the MENU (8) key for about 3 seconds to enter in the MEMORY MODE (refer to MEMORY CHANNEL OPERATION at page 15-16).

9. Built-in Speaker

Built-in front speaker.

10. Desk Charger Contacts

Contacts for Desk Charger mod. INTEK DDC-500.

11. Built-in Microphone

Built-in microphone.

12. LIGHT / SCRAMBLER Key

LIGHT

Shortly press the LIGHT (12) key to backlight the LCD display. The LCD backlight will be turned OFF automatically after 5 seconds.

SCRAMBLER (MT-5050EX)

Press and hold the LIGHT (12) key to enable the SCRAMBLER function (refer to SCRAMBLER FUNCTION at page 17).

13. MON Key

Press the MON key (13) to activate the Monitor function. This function opens Squelch in order to listen to the background noise and weak signals.

14. SCAN / LOCK Key

SCAN

Shortly press the SCAN (14) key to start the channels/memory scanning (refer to AUTOMATIC SCANNING at page 16 and 17).

KEYPAD LOCK

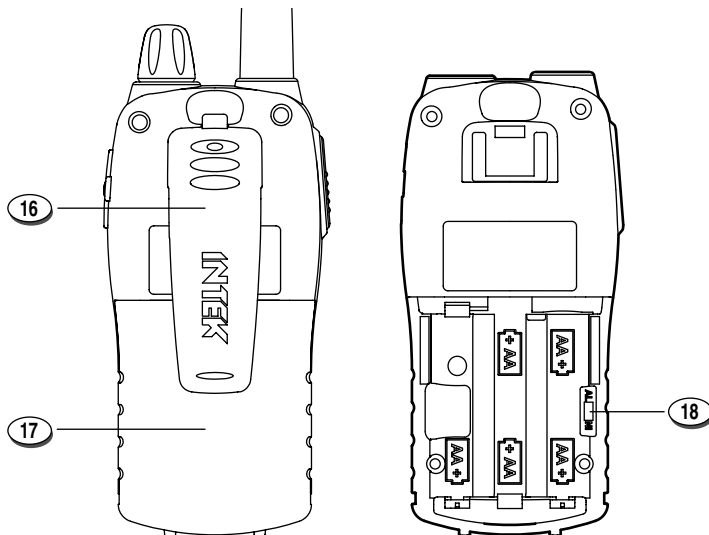
Press and hold the SCAN (14) key for about 3 seconds to enable the keypad LOCK function. Press and hold this key again to disable the keypad LOCK function.

15. PTT (Push-To-Talk) Key

Press the PTT (15) key to transmit and hold it during transmission. The TX (C) icon will be lighted during transmission. Release the PTT (15) key at the end of your transmission to return to the receive mode.

WARNING ! Do not touch the antenna during transmission.

Rear Panel



16. Belt Clip

1. To install the belt clip, slide it down into the special slot situated in the rear side of the unit, until the block system make a click.
2. To remove the clip, pull the block tab toward exterior and slide the clip toward the up side of the unit.

17. Battery Door

Open this cover (17) to install or remove batteries.

18. Battery Type Selector

The battery type selector (18) is located inside the battery room. Set the switch (18) to **Ni** if rechargeable batteries are used. Set the switch (18) to **AL** if alkaline batteries are used.

Menu Operation

Channel Selection

The radio has 8 PMR channels (P1-P8) + 69 LPD channels (01-69). To choose the desired channel, please proceed as follows :

1. Press the MENU (8) key until the channel number (N) blinks on the LCD display.
2. Press the UP (5) or DOWN (7) keys to select the desired channel. Pressing and holding the UP (5) or DOWN (7) keys, the channel selection will move quicker.
3. To confirm the selection and exit the Menu Mode, press PTT key (15) or the CALL (6) key or press the MENU (8) key to move to the next function.

PMR Channels

FREQ.	CH	FREQ.	CH	FREQ.	CH	FREQ.	CH
446.00625	P1	446.03125	P3	446.05625	P5	446.08125	P7
446.01875	P2	446.04375	P4	446.06875	P6	446.09375	P8

LPD Channels

FREQ.	CH	FREQ.	CH	FREQ.	CH	FREQ.	CH
433.07500	1	433.52500	19	433.97500	37	434.42500	55
433.10000	2	433.55000	20	434.00000	38	434.45000	56
433.12500	3	433.57500	21	434.02500	39	434.47500	57
433.15000	4	433.60000	22	434.05000	40	434.50000	58
433.17500	5	433.62500	23	434.07500	41	434.52500	59
433.20000	6	433.65000	24	434.10000	42	434.55000	60
433.22500	7	433.67500	25	434.12500	43	434.57500	61
433.25000	8	433.70000	26	434.15000	44	434.60000	62
433.27500	9	433.72500	27	434.17500	45	434.62500	63
433.30000	10	433.75000	28	434.20000	46	434.65000	64
433.32500	11	433.77500	29	434.22500	47	434.67500	65
433.35000	12	433.80000	30	434.25000	48	434.70000	66
433.37500	13	433.82500	31	434.27500	49	434.72500	67
433.40000	14	433.85000	32	434.30000	50	434.75000	68
433.42500	15	433.87500	33	434.32500	51	434.77500	69
433.45000	16	433.90000	34	434.35000	52	-	-
433.47500	17	433.92500	35	434.37500	53	-	-
433.50000	18	433.95000	36	434.40000	54	-	-

CTCSS Code Selection

The radio has 38 CTCSS private codes available. Different CTCSS tones may be associated to different channels. To choose the desired CTCSS code, please proceed as follows :

1. Press the MENU (8) key several times, until the CTCSS code number (L) blinks on the LCD display. The CTCSS code **OF** (L) indicates that no CTCSS tone is programmed on that channel.
2. Press the UP (5) or DOWN (7) keys to select the desired CTCSS code number. Pressing and holding the UP (5) or DOWN (7) keys, the selection will move quicker.
3. To confirm the selection and exit the Menu Mode, press PTT key (15) or the CALL (6) key or press the MENU (8) key to move to the next function.

Selecting a CTCSS code of **OF** will disable the CTCSS feature. To communicate between two or more radios, both the channel and CTCSS code selections must be the same. To communicate with other models and brands of radios, the actual radio frequency and CTCSS frequency must be matched. The frequency chart and CTCSS Code chart are included to help with this selection.

CTCSS - TONE FREQUENCY CHART

No	Freq. (Hz)	No	Freq. (Hz)	No	Freq. (Hz)	No	Freq. (Hz)	No	Freq. (Hz)
OF	CTCSS OFF	08	88,5	16	114,8	24	151,4	32	203,5
01	67,0	09	91,5	17	118,8	25	156,7	33	210,7
02	71,9	10	94,8	18	123,0	26	162,2	34	218,1
03	74,4	11	97,4	19	127,3	27	167,9	35	225,7
04	77,0	12	100,0	20	131,8	28	173,8	36	233,6
05	79,7	13	103,5	21	136,5	29	179,9	37	241,8
06	82,5	14	107,2	22	141,3	30	186,2	38	250,3
07	85,4	15	110,9	23	146,2	31	192,8	-	-

VOX (Handsfree use) Function

Your radio is equipped with a user selectable Voice Operated Transmitter function (VOX), that is used for automatic voice transmission (handsfree use or baby room monitor use). In this mode, transmission is automatically initiated by speaking into the microphone (11) and there is no need to push the PTT (15). To enable the VOX function, please proceed as follows :

1. Press the MENU (8) key several times, until the **Vo** indication (N) appears on the LCD display and the VOX icon (S) will blink.
2. Press the UP (5) or DOWN (7) keys to select the level of sensitivity (from 01 to 04) or to deactivate the VOX (**OF**). The VOX level **01** indicates the highest VOX sensitivity. When VOX feature is on, the VOX icon (S) will appear on the LCD display.

Transmitter RF Power Setting

Your radio has a HI/LOW Power selection function to set the TX Power for PMR Band. This function is very convenient to reduce the current drain and extend battery life when communicating within short distance. To select the output power on the PMR Band :

1. Press the MENU (8) key several times, until the **Pr** (N) indication appears on the LCD display and the HI (G) or LO (H) icons will blink.
2. Press the UP (5) or DOWN (7) keys to select the desired power level HI (high power) or LO (low power).
3. To confirm the selection and exit the Menu Mode, press PTT key (15) or the CALL (6) key or press the MENU (8) key to move to the next function.

Note : this function is available only on the 8 PMR channels.

Squelch level Selection

This function allows to silent the receiver by cutting the background noise, when no signals are received. The SQUELCH threshold level is adjustable in 7 steps, from level 0 (Squelch open) to level 6 (lowest Squelch sensitivity). To select the desired Squelch level, please proceed as follows :

1. Press the MENU (8) key several times, until the **SL** (N) and the selected Squelch level (L) indications will blink on the LCD display.
2. Press the UP (5) or DOWN (7) keys to select the desired Squelch level from 0 (squelch open) to 6. If level **0** is selected, Squelch will be open and you will hear the background noise.
3. To confirm the selection and exit the Menu Mode, press PTT key (15) or the CALL (6) key or press the MENU (8) key to move to the next function.

Keypad Program Tone Setting

When a key is pressed, a beep tone is heard to confirm your command. The user may enable or disable this keypad program tone.

1. Press the MENU (8) key several times, until the **Bp** (N) indication appears and the keypad tone icon (A) will blink on the LCD display.
2. Press the UP (5) or DOWN (7) keys to set the desired selection **on** (keypad tone enabled) or **oF** (keypad tone disabled).
3. To confirm the selection and exit the Menu Mode, press PTT (15) or CALL (6) keys or press the MENU (8) key to go on to the next function.
4. When the Keypad tone is enabled, the tone icon (A) appears on the LCD display.

Roger Beep Tone Setting

The radio is equipped with a user selectable Roger Beep Tone feature, which enables you to send a Beep Tone at the end of each transmission after every release of the PTT (15) key. This will prompt any receiving unit that your transmission has ended. To enable or disable this function, please proceed as follows :

1. Press the MENU (8) key several times, until the **rb** (N) indication appears and the tone icon (B) will blink on the LCD display.
2. Press the UP (5) or DOWN (7) keys to set the desired selection **on** (Roger Beep tone enabled) or **oF** (Roger Beep tone disabled).
3. To confirm the selection and exit the Menu Mode, press PTT key (15) or the CALL (6) key or press the MENU (8) key to move to the next function.
4. When the Roger Beep tone is enabled, the tone icon (B) appears on the LCD display.

Call Tone Setting

The radio is equipped with 3 user selectable Call tone melodies. To set the desired Call tone melody, please proceed as follows :

1. Press the MENU (8) key several times, until the **CA** (N) indication and melody number (L) will blink on the LCD display.
2. Press the UP (5) or DOWN (7) keys to set the desired melody (01-02-03).
3. To confirm the selection and exit the Menu Mode, press PTT key (15) or the CALL (6) key or press the MENU (8) key to move to the next function.
4. Press the CALL key (6) to transmit the Call Tone Melody.

Dual Watch Setting

The radio is equipped with a Dual Watch function that allows to monitor 2 different channels / CTCSS codes combinations. To set the Dual Watch function, please proceed as follows :

1. Select the first channel to be monitored.
2. Press the MENU (8) key several time until the **oF** (N) icon (function disabled) and the DW (I) icon will blink on the LCD display.
3. Press the UP (5) or DOWN (7) keys to select the second channel to be monitored between the 8 PMR and the 69 LPD available channels.
4. Press PTT (15) or CALL (6) keys to confirm the selection and use the UP (5) or DOWN keys to select the desired CTCSS code number between the 38 available codes.

Selecting the CTCSS code **00** will disable the CTCSS feature.

4. To confirm the selection and exit the Menu Mode, press PTT key (15) or the CALL (6) key or press the MENU (8) key to move to the next function.
5. When the Dual watch function is enabled, the DW icon (I) appears on the LCD display and the radio will start monitoring and will stop when a signal is received on one of the two stored channels, scan will re-start at the end of transmission.
6. To disable the Dual Watch function, press the SCAN (14) key.

Automatic Power Save Setting

The radio has a unique Automatic Power Save circuit designed to dramatically extend battery life. If it senses no transmission within 5 seconds, it automatically switches to the Power Save mode. The Radio can still receive transmissions in this mode. To enable or disable this function, please proceed as follows :

1. Press the MENU (8) key several times, until the **PS** (N) indication appears and the PS icon (R) will blink on the LCD display.
2. Press the UP (5) or DOWN (7) keys to set the desired selection **on** (function enabled) or **oF** (function disabled).
3. To confirm the selection and exit the Menu Mode, press PTT (15) or CALL (6) keys.
4. When the Power Save function is enabled, the PS icon (R) appears on the LCD display.

MEMORY CHANNEL OPERATION

Programming Memory Channels (1-8)

La radio is equipped with 8 programmable memory channels. To store a channel in one of the 8 memory channels, please proceed as follows :

1. Select the desired channel number and CTCSS code number as indicated at page 11 and 12.
2. Press and hold the MENU (8) key for about 3 seconds to enter the MEMORY MODE. The M icon (Q) will blink on the LCD display.
3. Press the UP (5) or DOWN (7) keys to select one of the 8 memory channels (1-8). If the memory channel **0** is selected, no channels can be stored as a memory channel. If a memory channel has been already programmed and stored, a new programming will replace the previous one (overwriting).
4. Shortly press the PTT (15) or CALL (6) keys to confirm the selection and store the memory channel. The radio will enter in Stand-by mode.

Memory Channels Recall

1. Press and hold the MENU (8) key for about 3 seconds to enter the MEMORY MODE. The M icon (Q) will blink on the LCD display.
2. Shortly press the PTT (15) or CALL (6) keys to enter the MEMORY RECALL MODE. The radio will show the last programmed memory channel. In no memory channels have been programmed, radio will return automatically to Stand-by mode.
3. Shortly press the MENU (8) key and the UP (5) or DOWN (7) keys to select the desired memory channel and press the PTT (15) or CALL (6) keys to confirm the selection.
4. To exit the MEMORY MODE switch OFF and ON the radio.

Memory Channels Delete

1. Recall the desired memory channel as indicated above.
2. Press and hold the MENU (8) key for about 3 seconds until the M (Q) icon will blink on the LCD display.
3. Press the UP (5) or DOWN (7) keys to select the memory channel **0** and press the PTT (15) or CALL (6) keys to confirm the deletion. The radio will enter in Stand-by mode.

AUTOMATIC SCAN

This function allows automatic scanning of all channels and programmed memories. To start the automatic scan function proceed as follows :

Automatic Channel Scanning

1. Shortly press the SCAN (14) key; the unit will automatically start the automatic channels scanning and the SC (M) icon will appear on the LCD display.
SCAN will automatically stop when a signal is detected on one channel, in order to listen to the communication and SCAN will re-start when no more signal is detected on that channel after about 4 seconds. If you press the PTT key (15) during the SCAN operation, SCAN will stop automatically and radio will set the last used channel. SCAN will then restart after about 14 seconds if no signals are received on that channel. If a signal with a CTCSS code is received, the radio shows that channel with the corresponding code. If the receiving code is different from the pre-programmed, the radio won't correspond with that correspondent.
2. Press the SCAN (14) key to exit the SCAN mode.

Automatic Memory Channels Scanning

1. Press and hold the MENU (8) key for about 3 seconds to enter the MEMORY MODE. The M icon (Q) will blink on the LCD display.
2. Shortly press the PTT (15) or CALL (6) keys to enter the MEMORY RECALL MODE. The radio will show the last programmed memory channel.
3. Shortly press the SCAN (14) key; the unit will automatically start the automatic memory channels scanning and the SC (M) icon will appear on the LCD display.
SCAN will automatically stop when a signal is detected on one channel, in order to listen to the communication and SCAN will re-start when no more signal is detected on that channel after about 4 seconds. If you press the PTT key (15) during the SCAN operation, SCAN will stop automatically and radio will set the last used channel. SCAN will then restart after about 14 seconds if no signals are received on that channel.
4. Press the SCAN (14) key to exit the SCAN mode.
5. To exit the MEMORY MODE switch OFF and ON the radio.

SCRAMBLER FUNCTION (MT-5050EX)

You can enjoy privacy of communication within your group, by enabling the SCRAMBLER function and selecting the same scrambler formula as your group members do. Two different scrambler formulas are available and selectable (01-02). To enable the SCRAMBLER function please proceed as follows :

1. Press and hold the LIGHT (12) key for about 3 seconds until the **Sc** (N) indication appears and the SCR(F) icon will blink on the LCD display.
2. Press the UP (5) or DOWN (7) keys to select the desired formula (01-02). Selecting **OF** will disable the SCRAMBLER function.
2. Press the PTT (15) or CALL (6) keys to confirm the selection and exit to Stand-by mode.
4. When the SCRAMBLER function is enabled, the SCR icon (F) appears on the LCD display.
5. Please make sure that other group members have enabled SCRAMBLER function and select the same formula.
6. To disable the SCRAMBLER function repeat the items 1-2 and select **OF**.

Specifications - Optional Accessories

SPECIFICATIONS

Channels	8 PMR Channels + 69 LPD Channels with 38 CTCSS Codes
Operating Frequency	UHF 446.00625 - 446.09375 MHz (PMR Band) UHF 433.07500 - 434.77500 MHz (LPD Band)
Power Source	7.5V (5 x AA 1,5V alkaline battery) 6.0V (5 x AA rechargeable battery)
Output Power	0.5W ERP High / 0.05W ERP Low (PMR BAND) 0.01W ERP maximum (LPD Band)
Dimensions	H195 x L60 X D40 mm (including antenna)
Weight	gr. 250 (including battery)

Damaged Antenna

Do not use any radio that has a damaged Antenna. If a damaged antenna comes in contact with the skin, a minor burn may occur.

Battery Operation - Important Information

Dispose of battery in the proper manner, according to federal, state and local regulations that apply in your area. A battery may leak electrolyte if it is mixed in a set with different battery types, if inserted incorrectly, if disposed of in fire, or if an attempt is made to charge a battery not intended to be charged. Discard leaky batteries immediately. Leaking batteries can cause skin burns or other personal injury.

Optional Accessories :

MT-SM100	External Earset-Microphone with Tie Clip
MT-SM200	External Earset- Flexible Boom Microphone with Tie Clip
SM-007-A1	External Transparent Earset-Microphone for Security use.
HS-2PIN-S/INT	Motorcycle Set (for Integral Helmet)
HS-2PIN-S/JET	Motorcycle Set (for Jet Helmet)
DDC-500	230VAC Electronic Quick Desk Charger
SMA-505	SMA antenna adaptor (MT-5050EX)
KA-505	SMA antenna 20cm (MT-5050EX)

Important Informations

Important !

Changes or modifications to this product could void your authority to operate this unit. Your radio is produced and factory set to transmit a regulated signal on an assigned frequency. It is against the law to alter or adjust the settings inside the radio to exceed those limitations. Any adjustment to your radio must be made by a qualified authorized technician or service.

To be safe and sure :

Never open the cabinet of your radio.

Never change or replace anything in your radio (except the battery).

Your radio might cause TV or radio interference even when it is operating properly. To determine whether your radio is causing the interference, turn it off. If the interference goes away, your radio is causing it. Try to eliminate the interference by moving your radio away from the receiver. If you cannot eliminate the interference, stop using the radio.

Hazardous Environments :

Do not operate the radio in hazardous environments.

Care and Safety :

To clean the radio, use a soft cloth dampened with water. Do not use cleaners or solvents because they can harm the body of the unit and leak inside, causing permanent damage. Use a dry, lint-free cloth to clean the battery contacts. **Do not submerge the unit in water or use it on a wet environment.** If the unit gets wet, turn it off and remove the battery immediately. Dry the battery and the battery compartment with a soft cloth to minimize potential water damage. Leave the battery compartment cover off overnight to ensure complete drying. Do not use the radio until it is completely dry.

Notice ! Use of Multi-Standard Transceivers

This transceiver is a Multi-Standard (DUAL BAND) device and it may be used in all the European countries and in some other countries as well, but only on the channels (frequencies) allowed by the local regulations in each country.

PMR446 (8 channels) : Austria, Belgium, Czech Rep., Denmark, Finland, France, Germany, Greece, Island, Ireland, Italy, Luxembourg, Norway, Holland, Poland, Portugal, Spain, Sweden, Switzerland, UK, Turkey

LPD433 (69 channels) : Austria, France, Germany, Greece, Norway, Holland, Russia, Sweden

Declaration of Conformity - User Information

EC Certificate of Conformity
(to EC Directive 99/5-89/336-93/68-73/23)

DECLARATION OF CONFORMITY

With the present declaration, we certify that the following products :

INTEK MT-5050D

comply with all the technical regulations applicable to the above mentioned products in accordance with the EC Directives 73/23/EEC, 89/336/EEC and 99/5/EC.

Type of product :	LPD / PMR 446 Transceiver
Details of applied standards :	EN 300 220-1, EN 301 489-1-3, EN 60065 EN 300 296, EN 301 489-5, EN 60065
Manufacturer :	INTEK S.R.L. Via G. Marconi, 16 20090 Segrate (Mi) Tel. 02-26950451 / Fax 02-26952185 E-Mail intek.com@intek-com.it
Contact Reference :	Armando Zanni Tel. 02-26950451 / Fax 02-26952185 E-Mail intek.com@intek-com.it

Segrate, 10/01/2008

dr. Vittorio Zanetti (General Manager)

User Information

in accordance with art. 13 of the Legislative Decree of 25th July 2005, no. 15 "Implementation of Directives 2002/95/EC, 2002/96/EC and 2003/108/EC, relative to reduction of the use of hazardous substances in electrical and electronic equipment, in addition to waste disposal".



The crossed bin symbol shown on the equipment indicates that at the end of its working life the product must be collected separately from other waste.

The user must therefore take the above equipment to the appropriate differentiated collection centres for electronic and electro technical waste, or return it to the dealer when purchasing a new appliance of equivalent type, in a ratio of one to one.

Appropriate differentiated waste collection for subsequent recycling, treatment and environment-friendly disposal of the discarded equipment helps to prevent possible negative environmental and health effects and encourages recycling of the component materials of the equipment.

Illegal disposal of the product by the user will be punished by application of the administrative fines provided for by the legislative decree no. 22/1997 (article 50 and following of the legislative decree no. 22/1997).

Indice	21
Introduzione	22-23
Contenuto della Confezione	23
Utilizzo delle batterie	24
Descrizione dei comandi e indicatori	25-30
Funzionamento	31-38
Avviso agli utenti	38
Specifiche Tecniche	39
Accessori Opzionali	39
Altre Informazioni	40
Avvertenze Importanti - Garanzia Limitata	41
Dichiarazione di Conformità	42

IMPORTANTE !

Si consiglia vivamente di prendere visione del contenuto di questo manuale, prima di utilizzare la ricetrasmittente. Questo anche per evitare di utilizzare gli apparecchi al di fuori dei limiti previsti dalle norme di legge in vigore.

IMPORTANTE !

La massima portata operativa è variabile secondo le condizioni del terreno e ambientali. La portata è normalmente maggiore negli spazi aperti, mentre diminuisce sensibilmente all' interno o intorno agli edifici o altre strutture. Questa ricetrasmittente può non garantire la segretezza delle comunicazioni.



Congratulazioni !

Congratulazioni per aver scelto ed acquistato un prodotto di qualità INTEK. Con un uso corretto e seguendo il set-up e le istruzioni d' uso in questo Manuale di Istruzioni, questo apparecchio vi garantirà un servizio senza problemi per molti anni.

Ci impegnamo costantemente a fornire prodotti di qualità che rispondano alle vostre esigenze, ma siamo comunque sempre molto interessati a ricevere eventuali vostri commenti o suggerimenti su questo prodotto, che ci aiutino nel continuo miglioramento della qualità.

Applicazioni

INTEK MT-5050 è una ricetrasmittente personale di ultima generazione, leggera e compatta, che opera nella banda europea PMR 446 MHz e LPD 433 MHz. **La radio deve operare nelle bande (PMR446 o LPD433) e nei canali ammessi nel paese dove il prodotto viene utilizzato, in accordo con le restrizioni locali.** Questo apparecchio permette una comunicazione via radio immediata, di alta qualità, sia per l' uso professionale che personale, è uno strumento di comunicazione ideale per molteplici usi, quali :

- Commercio
- Industria
- Cantieri Edili
- Negozi, Magazzini & Centri Commerciali
- Capannoni, Uffici & Palazzi
- Hotels & Resorts
- Sicurezza & Soccorso
- Controllo Bambini
- Sport & Tempo Libero
- Eventi Sportivi, Concerti, Meetings
- Uso in Bicicletta o Motocicletta
- Monitoraggio Anziani o Neonati
- Campeggio e Escursioni
- Attività Indoor & Outdoor
- Nautica e Volo Sportivo

MT-5050EX (VERSIONE INTERNAZIONALE)

In questo manuale gli articoli contrassegnati (MT-5050EX) si riferiscono esclusivamente al modello INTEK MT-5050EX.

Le funzioni contrassegnate (MT-5050EX) non sono disponibili nel modello MT-5050 (VERSIONE EUROPEA).

Il modello MT-5050EX non è disponibile per il mercato europeo.

Caratteristiche Principali

Questo apparecchio comprende numerose funzioni avanzate, ciò nonostante l' utilizzo è molto semplice e potete prendere familiarità con la radio dopo pochi minuti di uso.

Per favore riferitevi alla lista seguente delle principali funzioni incorporate :

- 8 Canali PMR + 69 Canali LPD
- 30 Canali PMR Simplex + 99 Canali LPD Simplex (MT-5050EX)
- 20 Canali PMR/LPD Semi-Duplex (MT-5050EX)
- 38 Codici Privati CTCSS
- Tono Roger Beep
- Tono di Inserimento Comandi
- 8 memorie programmabili
- Blocco della Tastiera
- Squelch con soglia regolabile
- Monitor
- Circuito automatico Power Save
- Sistema VOX (Baby Room Monitor) / Uso Mani Libere
- Funzione Dual Watch
- Potenza del Trasmettitore Regolabile Hi-LO (in banda PMR)
- Scansione automatica dei Canali e delle Memorie
- Memoria delle Combinazioni Canale / CTCSS
- 3 Diversi Toni Musicali di Chiamata
- Ampio display LCD retroilluminato
- Indicatore di Livello Batteria
- S/RF Meter digitale
- Dispositivo Scrambler (MT-5050EX)
- Presa per Microfono Auricolare Esterno
- Presa per Carica Batteria

Contenuto della confezione

Per favore controllate che la confezione contenga tutti i seguenti componenti :

- 1 x Unità Principale (Ricetrasmittente)
- 5 x Batteria ricaricabile Ni-MH 7.2V 1500mAh
- 1 x Caricabatterie da parete 230VAC
- 1 x Clip da cintura
- 1 x Manuale d' Istruzioni

Installazione e controllo delle batterie

Rimuovere il coperchio batterie (17) sfilandolo verso il basso. Selezionare il tipo di batterie che verrà utilizzato tramite il deviatore (18) posto nel vano batterie. Selezionare **Ni** per le batterie ricaricabili o **AL** per le batterie alcaline. Inserire 5 pile tipo AA alcaline oppure batterie ricaricabili al Ni-MH, rispettando la corretta polarità, come indicato nel vano batterie. Accendere l'apparecchio, ruotando la manopola OFF/VOL (2) in senso orario e controllare l'indicatore del livello di carica delle batterie (E). 4 barre indicano la piena carica delle batterie, 3 barre indicano normale livello di carica, 2 barre indicano metà livello di carica e 1 barra indica basso livello di carica. Quando lo stato di carica delle batterie è insufficiente, l'icona (E) e l'indicazione **bt Lo (N)** lampeggiano sul display. Ricaricare o sostituire a questo punto le batterie. Per il corretto procedimento, fare riferimento al paragrafo successivo.

Ricarica batterie

Quando la carica delle batterie è insufficiente, spegnere il ricetrasmittitore e collegare il caricabatterie da parete in dotazione alla presa di ricarica Charge (4) e successivamente alla presa di corrente 230VAC. Per ottenere il massimo rendimento, le batterie dovrebbero essere ricaricate solo se completamente scariche. Il tempo di carica dipende dalla capacità delle batterie utilizzate; il tempo di carica normale, per un set di batterie al Ni-MH (1200-1500 mAh) è di circa 12 ore. A processo di ricarica ultimato, estrarre il caricabatterie dalla presa di corrente e successivamente scollegarlo dalla radio.

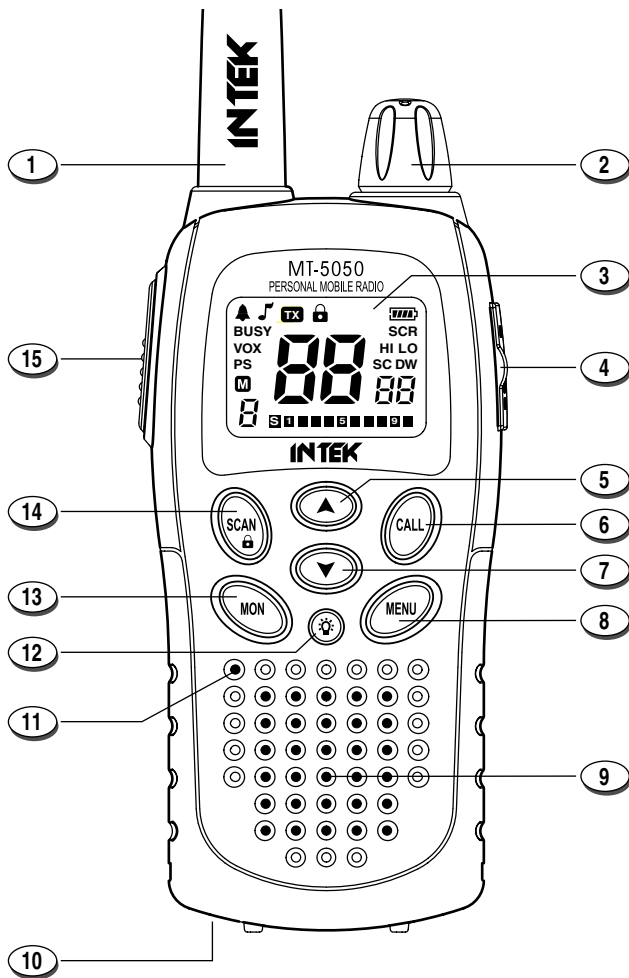
AVVERTENZE !

1. **Possono essere ricaricate solo batterie di tipo Ni-MH (o Ni-CD).**
2. **Non tentare mai di ricaricare le batterie alcaline, al fine di evitare danni alla radio o l'esplosione delle stesse.**
3. **Assicurarsi che il selettore del tipo di batterie utilizzato (18) sia posizionato su Ni.**
4. **Spegnere sempre il ricetrasmittitore prima di iniziare il processo di ricarica.**
5. **Non ricaricare mai le batterie per più di 13-14 ore, per evitare la sovraccarica o il surriscaldamento delle stesse, con conseguenti danni alla radio.**
6. **Utilizzare solo il caricabatterie in dotazione con il prodotto o i carica batterie originali INTEK.**

Descrizione dei comandi e indicatori

Pannello frontale

Italiano



Descrizione dei comandi e indicatori

1. Antenna

Antenna in gomma, ad alto rendimento.

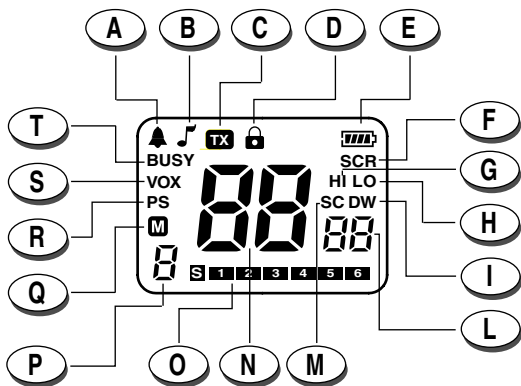
2. Manopola OFF/VOL

Manopola di accensione e spegnimento della radio. Permette la regolazione del volume di ascolto. In assenza di segnali sul canale in uso, si consiglia di aprire lo SQUELCH e quindi di regolare il volume al livello desiderato utilizzando come riferimento il rumore (fruscio) di fondo.

3. Display LCD

Ampio display LCD di tipo retro-illuminato in colore verde, per la massima leggibilità anche nell'oscurità. Il grande display a 6 linee indica simultaneamente tutti i parametri in uso e tutte funzioni e i dispositivi attivati. Strumento indicatore tipo S/RF Meter digitale a 10 barre e indicatore livello batteria a 4 segmenti.

Display LCD



A. Indicazione tono di tastiera

L' icona (A) è accesa quando la funzione tono di tastiera è attiva.

B. Indicazione Roger Beep

L' icona (B) è accesa quando è abilitato il dispositivo Roger Beep (tono di fine trasmissione).

Descrizione dei comandi e indicatori

C. Indicazione TX

L'indicazione TX (C) è accesa quando il ricetrasmittitore è in modalità trasmissione.

D. Indicazione LOCK

L'indicazione LOCK (D) è accesa quando la funzione di blocco tastiera è attiva.

E. Indicazione livello batteria

Visualizza lo stato di carica delle batterie a 4 livelli.

F. Indicazione SCR (MT-5050EX)

L'icona SCR (F) è accesa quando è abilitato il dispositivo SCRAMBLER.

G. Icona HI

L'icona HI (G) è accesa quando il ricetrasmittitore è in modalità alta potenza (solo canali PMR).

H. Icona LO

L'icona LO (H) è accesa quando il ricetrasmittitore è in modalità bassa potenza (solo canali PMR).

I. Icona DW

L'indicazione DW è accesa quando è attiva la funzione DUAL WATCH, ovvero il monitoraggio automatico di 2 canali.

L. Indicazione tono CTCSS

Visualizza il numero del codice CTCSS selezionato.

M. Icona SC

L'indicazione SC è accesa quando è attiva la funzione di scansione SCAN, ovvero la ricerca automatica delle memorie o dei canali occupati.

N. Indicazione del canale

L'indicazione consente la lettura del numero del canale in uso, da P1 a P8 (canali PMR) e da 01 a 69 (canali LPD).

O. Strumento digitale a barre S/RF Meter

Lo strumento a 6 barre S/RF Meter indica l'intensità del segnale ricevuto da S0 a S6 in ricezione e la potenza RF di uscita.

P. Indicazione del numero di memoria (1-8)

L'indicazione delle memorie (1-8) è accesa quando è stato selezionato 1 degli 8 canali programmabili di memoria.

Descrizione dei comandi e indicatori

Q. Icona memoria

L'indicazione M (Q) indica che la radio si trova in modalità memoria.

R. Icona PS

L'indicazione PS (R) indica che la funzione di risparmio energetico (Power Save) è attiva.

S. Icona VOX

L'indicazione VOX (S) indica che la funzione VOX (uso a mani libere) è attiva.

T. Icona BUSY

L'indicazione BUSY (T) è accesa quando la radio sta ricevendo un segnale oppure lo Squelch è aperto.

4. Presa Mike-Speaker / ricarica

Preso per il collegamento di un microfono-altoparlante esterno e del carica batterie da parete 230VAC in dotazione.

AVVERTENZA ! Usare solo accessori originali. Collegare ed utilizzare accessori diversi da quelli originali può causare gravi danni al ricetrasmittitore ed inoltre la perdita della garanzia.

Ridurre sempre il livello di volume al minimo prima di collegare una cuffia o microfono esterni e aumentarlo gradatamente per evitare di danneggiare l'accessorio o l'udito dell'operatore.

5. Tasto UP

Tasto per la selezione dei canali e dei toni CTCSS in ordine crescente e lo scorrimento delle funzioni in modalità Menu.

6. Tasto CALL / CONFERMA

Questo tasto consente l'invio del tono di chiamata. Nella modalità MENU permette di confermare la selezione delle funzioni.

7. Tasto DOWN

Tasto per la selezione dei canali e dei toni CTCSS in ordine decrescente e lo scorrimento delle funzioni in modalità Menu.

8. Tasto MENU / MEMORIE

Il tasto MENU (8) permette di abilitare e programmare le diverse funzioni della radio. Ad ogni pressione del tasto MENU (7), è possibile selezionare in sequenza una delle varie funzioni. Mantenendo premuto il tasto MENU (8), la radio entrerà in modalità MEMORIA (vedi a pag. 36).

9. Altoparlante incorporato

Altoparlante entro contenuto.

10. Contatti per caricabatterie da tavolo

Contatti per il caricabatterie da tavolo mod. INTEK DDC-500.

11. Microfono incorporato

Microfono entro contenuto.

12. Tasto LIGHT / SCRAMBLER

LIGHT

Premere brevemente il tasto LIGHT (12) per attivare la retroilluminazione del display LCD, che si spegnerà automaticamente dopo circa 5 secondi.

SCRAMBLER (MT-5050EX)

Mantenendo premuto questo tasto viene attivata la funzione SCRAMBLER.

Per la descrizione vedere il paragrafo FUNZIONE SCRAMBLER a pag. 38

13. Tasto Monitor

Premere questo tasto per attivare la funzione Monitor. Questa funzione consente di aprire lo Squelch e ascoltare così il rumore di fondo.

14. Tasto SCAN / LOCK

SCAN

Premere brevemente questo tasto per attivare la scansione automatica dei canali o delle memorie in uso (vedi paragrafo SCANSIONE AUTOMATICA a pag. 37).

BLOCCO TASTIERA KEY LOCK

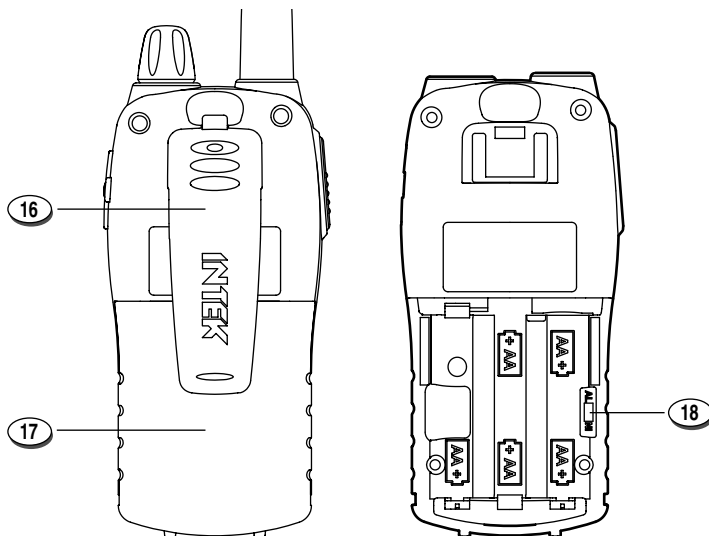
Mantenere premuto il tasto SCAN (14) per circa 3 secondi per attivare il blocco della tastiera (sul display comparirà l' icona LOCK (D)). Quando il blocco tastiera è attivato, tutti i tasti sono disattivati ad eccezione del tasto PTT (15). Per disattivare il blocco tastiera, mantenere premuto di nuovo il tasto SCAN (14).

15. Tasto PTT (Push-To-Talk)

Tasto di trasmissione. Premere per trasmettere e mantenere premuto durante la trasmissione. L' indicatore di trasmissione TX (C) rimarrà acceso durante la trasmissione. Rilasciare il tasto PTT (15) per ritornare in modalità ricezione.

ATTENZIONE ! Non toccare l' antenna durante la trasmissione.

Pannello posteriore



16. Clip da cintura

1. Per installare la clip da cintura, far slittare la stessa verso il basso nello slot apposito situato nella parte posteriore della radio, finchè il meccanismo di blocco compie un clic.
2. Per rimuovere la clip, tirare la linguetta di blocco verso l' esterno e quindi delicatamente far slittare la clip verso la parte alta della radio.

17. Coperchio vano batterie

Coperchio dell' alloggiamento delle batterie.

18. Selettore batterie utilizzate

Deviatore, posto all' interno del vano batterie, utilizzato per la selezione del tipo di batterie utilizzate: **Ni** per batterie ricaricabili e **AL** per batterie alcaline.

UTILIZZO DEL MENU

Selezione dei canali

La radio dispone di 8 canali PMR (da P1 a P8) + 69 canali LPD (da 01 a 69). Per selezionare il canale desiderato, eseguire le seguenti operazioni :

1. Premere 1 volta il tasto MENU (8) finchè il numero del canale (N) lampeggia sul display LCD.
2. Premere i tasti UP (5) o DOWN (7) per selezionare il canale desiderato. Mantenendo premuto uno di questi tasti, la selezione avverrà con velocità maggiore.
3. Per confermare la selezione eseguita ed uscire dal menu, premere i tasti PTT (15) o CALL (6) oppure premere il tasto MENU (8) per passate alla funzione successiva.

Canali PMR

FREQ.	CH	FREQ.	CH	FREQ.	CH	FREQ.	CH
446.00625	P1	446.03125	P3	446.05625	P5	446.08125	P7
446.01875	P2	446.04375	P4	446.06875	P6	446.09375	P8

Canali LPD

FREQ.	CH	FREQ.	CH	FREQ.	CH	FREQ.	CH
433.07500	1	433.52500	19	433.97500	37	434.42500	55
433.10000	2	433.55000	20	434.00000	38	434.45000	56
433.12500	3	433.57500	21	434.02500	39	434.47500	57
433.15000	4	433.60000	22	434.05000	40	434.50000	58
433.17500	5	433.62500	23	434.07500	41	434.52500	59
433.20000	6	433.65000	24	434.10000	42	434.55000	60
433.22500	7	433.67500	25	434.12500	43	434.57500	61
433.25000	8	433.70000	26	434.15000	44	434.60000	62
433.27500	9	433.72500	27	434.17500	45	434.62500	63
433.30000	10	433.75000	28	434.20000	46	434.65000	64
433.32500	11	433.77500	29	434.22500	47	434.67500	65
433.35000	12	433.80000	30	434.25000	48	434.70000	66
433.37500	13	433.82500	31	434.27500	49	434.72500	67
433.40000	14	433.85000	32	434.30000	50	434.75000	68
433.42500	15	433.87500	33	434.32500	51	434.77500	69
433.45000	16	433.90000	34	434.35000	52	-	-
433.47500	17	433.92500	35	434.37500	53	-	-
433.50000	18	433.95000	36	434.40000	54	-	-

Selezione del tono CTCSS

La radio dispone di 38 codici privati CTCSS. E' possibile associare un diverso tono CTCSS a ciascun canale. Per impostare un tono CTCSS, eseguire le seguenti operazioni :

1. Premere 2 volte il tasto MENU (8) finchè il numero del tono CTCSS (L) lampeggia sul display LCD. Se nessun tono è selezionato verrà visualizzata l' indicazione **OF** (L).
2. Premere i tasti UP (5) o DOWN (7) per selezionare il tono CTCSS desiderato. Mantenendo premuto uno di questi tasti, la selezione dei canali avverrà con velocità maggiore.
3. Per confermare la selezione eseguita ed uscire dal menu, premere i tasti PTT (15) o CALL (6) oppure premere il tasto MENU (8) per passate alla funzione successiva.

Note : Selezionando il codice CTCSS **OF**, la funzione CTCSS sarà disattivata. Per comunicare tra due o più radio, le selezioni del canale e del codice CTCSS devono essere le stesse. Per comunicare con altri modelli e marchi di radio, l'attuale frequenza radio e la frequenza del tono CTCSS devono coincidere. Fate riferimento alle tabelle delle frequenze (canali e toni CTCSS) in questo manuale.

CTCSS - TABELLA DEI TONI PRIVATI

No	Freq. (Hz)	No	Freq. (Hz)	No	Freq. (Hz)	No	Freq. (Hz)	No	Freq. (Hz)
OF	CTCSS OFF	08	88,5	16	114,8	24	151,4	32	203,5
01	67,0	09	91,5	17	118,8	25	156,7	33	210,7
02	71,9	10	94,8	18	123,0	26	162,2	34	218,1
03	74,4	11	97,4	19	127,3	27	167,9	35	225,7
04	77,0	12	100,0	20	131,8	28	173,8	36	233,6
05	79,7	13	103,5	21	136,5	29	179,9	37	241,8
06	82,5	14	107,2	22	141,3	30	186,2	38	250,3
07	85,4	15	110,9	23	146,2	31	192,8	-	-

Impostazione della funzione VOX (uso a mani libere)

La radio dispone della funzione VOX, che può essere utilizzata per una trasmissione di voce automatica (uso a mani libere o uso come baby room monitor). In questa modalità, la trasmissione inizia automaticamente parlando nel microfono (11). Non c'è bisogno quindi di premere il tasto PTT (15). Per impostare la modalità VOX, eseguire le seguenti operazioni :

1. Premere 3 volte il tasto MENU (8) finchè appare sul display la scritta **Vo** (N) e l' icona VOX (S) inizierà a lampeggiare.
2. Premere i tasti UP (5) o DOWN (7) per selezionare il livello di sensibilità desiderato, da 01

a 04. Selezionando **OF**, la funzione VOX viene disattivata. La funzione VOX è più sensibile impostando il livello **01**. Quando la funzione VOX è attivata, l' icona VOX (S) appare sul display LCD.

3. Per confermare la selezione eseguita ed uscire dal menu, premere i tasti PTT (15) o CALL (6) oppure premere il tasto MENU (8) per passare alla funzione successiva.

Selezione della Potenza del Trasmettitore

La radio dispone di una funzione di regolazione della potenza RF del trasmettitore (alta/bassa), questa funzione è attivabile solamente per i canali PMR. Questa funzione è molto utile per ridurre il consumo della batteria durante comunicazioni a breve distanza. Per selezionare la potenza del trasmettitore, eseguire le seguenti operazioni :

1. Premere 4 volte il tasto MENU (8) finchè appare sul display LCD la scritta **Pr** (N) e le icone HI (G) o LO (H) iniziano a lampeggiare.
2. Premere i tasti UP (5) o DOWN (7) per selezionare il livello di potenza desiderato HI (alta potenza) o LO (bassa potenza).
3. Per confermare la selezione eseguita ed uscire dal menu, premere i tasti PTT (15) o CALL (6) oppure premere il tasto MENU (8) per passare alla funzione successiva.
4. A seconda della selezione effettuata, sul display comparirà LO o HI.

Selezione del livello di Squelch

Questa funzione permette di silenziare il ricevitore ed eliminare quindi il rumore di fondo. E' possibile selezionare la soglia di Squelch desiderata in 7 livelli, da 0 (Squelch aperto) a 6. Per selezionare il livello di Squelch desiderato, eseguire le seguenti operazioni :

1. Premere 5 volte il tasto MENU (8) finchè appaiono sul display LCD la scritta **SL** (N) ed il livello di Squelch impostato (L).
2. Premere i tasti UP (5) o DOWN (7) per selezionare il livello di SQUELCH desiderato da 0 (Squelch aperto) a 6. Selezionando il livello **0** sarà possibile ascoltare il rumore di fondo.
3. Per confermare la selezione eseguita ed uscire dal menu, premere i tasti PTT (15) o CALL (6) oppure premere il tasto MENU (8) per passare alla funzione successiva.

Impostazione del tono di tastiera

Ogni qualvolta viene premuto un tasto della radio, un tono beep è prodotto per confermare il comando inserito. Questa nota musicale può essere attivata o disattivata dall'utente, eseguendo le seguenti operazioni :

1. Premere 6 volte il tasto MENU (8) finchè appare sul display LCD la scritta **Bp** (N) e l' icona del tono (A) inizia a lampeggiare.
2. Premere i tasti UP (5) o DOWN (7) per selezionare **on** (tono beep attivato) oppure **oF** (tono beep disattivato).
3. Per confermare la selezione eseguita ed uscire dal menu, premere i tasti PTT (15) o CALL (6) oppure premere il tasto MENU (8) per passate alla funzione successiva.
4. Se il tono beep è attivato, sul display compare l' icona (A).

Impostazione della funzione Roger Beep

Questa funzione permette di inviare automaticamente una nota musicale quando viene rilasciato il tasto PTT. Questo avviso musicale conferma al vostro corrispondente che la vostra trasmissione è finita. Per impostare la funzione Roger Beep, eseguire le seguenti operazioni :

1. Premere 7 volte il tasto MENU (8) finchè appare sul display LCD la scritta **rb** (N) e l' icona del tono (B) inizia a lampeggiare.
2. Premere i tasti UP (5) o DOWN (7) per selezionare **on** (tono beep attivato) o **oF** (tono beep disattivato).
3. Per confermare la selezione eseguita ed uscire dal menu, premere i tasti PTT (15) o CALL (6) oppure premere il tasto MENU (8) per passate alla funzione successiva.
4. Se il tono beep è attivato, sul display compare l' icona (B).

Impostazione del Tono di Chiamata Call

La radio dispone di 3 differenti toni musicali (melodie) per l' avviso di chiamata. Per selezionare la melodia desiderata, eseguire le seguenti operazioni :

1. Premere 8 volte il tasto MENU (8) finchè la scritta **CA** (N) e il numero della melodia selezionata (L) lampeggiano sul display LCD
2. Premere i tasti UP (5) o DOWN (7) per selezionare la melodia desiderata, da 01 a 03.
3. Per confermare la selezione eseguita ed uscire dal menu, premere i tasti PTT (15) o CALL (6) oppure premere il tasto MENU (8) per passate alla funzione successiva.
4. Per inviare una chiamata, premere brevemente il tasto CALL (6).

Impostazione della funzione Dual Watch

La radio è dotata della funzione Dual Watch, che consente di monitorare 2 canali differenti, inclusi i corrispettivi codici CTCSS. Per abilitare la funzione Dual Watch, eseguire le seguenti operazioni :

1. Selezionare il primo canale da monitorare.
2. Premere 9 volte il tasto MENU (8); le scritte **oF** (N) (funzione disattivata) e l'icona DW (I) inizieranno a lampeggiare sul display LCD.
3. Premere i tasti UP (5) o DOWN (7) per selezionare il secondo canale da monitorare tra gli 8 PMR e i 69 LPD disponibili.
4. Premere il tasto MENU (8) per confermare la selezione ed utilizzare i tasti UP (5) o DOWN (7) per selezionare il tono CTCSS desiderato tra i 38 disponibili. Selezionando il tono **00**, non verrà associato alcun tono CTCSS al canale selezionato.
5. Per confermare la selezione eseguita ed uscire dal menu, premere i tasti PTT (15) o CALL (6) oppure premere il tasto MENU (8) per passare alla funzione successiva.
6. Se la funzione Dual Watch è attivata, sul display compare l'icona DW (I). La radio inizierà il monitoraggio arrestandosi automaticamente quando, su uno dei 2 canali, verrà ricevuto un segnale, per poi riprendere la scansione al termine della comunicazione.
7. Per disattivare la funzione Dual Watch, premere il tasto SCAN (14).

Impostazione della funzione Power Save

La radio comprende un dispositivo automatico chiamato **Automatic Power Save**, che permette di estendere in modo significativo la durata della batteria. Se la radio resta in Stand By (modo di attesa) per almeno 5 secondi, il circuito Power Save viene attivato. La radio può comunque sempre ricevere trasmissioni in questa modalità. E' possibile attivare o disattivare questa funzione, procedendo come segue :

1. Premere 10 volte il tasto MENU (8) finchè appare sul display LCD la scritta **PS** (N) e l'icona PS (R) inizia a lampeggiare.
2. Premere i tasti UP (5) o DOWN (7) per selezionare **on** (funzione attivata) o **oF** (funzione disattivata).
3. Per confermare la selezione eseguita ed uscire dal menu, premere i tasti PTT (15) o CALL (6).
4. Se la funzione Power Save è attivata, sul display compare l'icona PS (R).

UTILIZZO DELLE MEMORIE

Programmazione dei canali di memoria (1-8)

La radio dispone di 8 canali di memoria programmabili. Per memorizzare un canale in una delle 8 memorie disponibili, procedere come segue :

1. Selezionare il canale e il tono CTCSS desiderati da memorizzare, procedendo come descritto nelle pagg. 31 e 32.
2. Mantenere premuto per circa 3 secondi il tasto MENU (8) per entrare in MODALITA' MEMORIE. L' icona di memoria M (Q) inizia a lampeggiare sul display LCD.
3. Premere i tasti UP (5) o DOWN (7) per selezionare una delle 8 memorie da programmare da 1 a 8 (P). Se viene selezionato il numero di memoria **0**, nessun canale verrà memorizzato. Se il canale di memoria è già occupato, verrà sovrascritto.
4. Premere brevemente i tasti PTT (15) o CALL (6) per confermare la selezione e salvare il canale in memoria. La radio tornerà in modalità Stand-by.

Richiamo dei canali di memoria (1-8)

1. Mantenere premuto per circa 3 secondi il tasto MENU (8) per entrare in MODALITA' MEMORIE. L' icona di memoria M (Q) inizia a lampeggiare sul display LCD.
2. Premere brevemente i tasti PTT (15) o CALL (6) per entrare in modalità RICHIAMO MEMORIE; la radio visualizzerà l' ultima memoria programmata. Se nessuna memoria è stata programmata, la radio entrerà automaticamente in modalità Stand-by.
3. Per selezionare la memoria desiderata, premere brevemente il tasto MENU (8) seguito dai tasti UP (5) o DOWN (7) e confermare premendo i tasti PTT (15) o CALL (6).
4. Per uscire dalla MODALITA' MEMORIE è necessario spegnere e riaccendere la radio.

Cancellazione dei canali di memoria (1-8)

1. Richiamare la memoria da cancellare come descritto in precedenza.
2. Mantenere premuto per circa 3 secondi il tasto MENU (8) finchè l' icona di memoria M (Q) inizia a lampeggiare sul display LCD.
3. Premere i tasti UP (5) o DOWN (7) per selezionare il numero di memoria **0** e confermare la cancellazione premendo i tasti PTT (15) o CALL (6).
La radio tornerà in modalità Stand-by.

SCANSIONE AUTOMATICA

Questa funzione permette la scansione automatica di tutti i canali e delle memorie programmate. Per attivare la scansione procedere come segue :

Scansione automatica dei canali

1. Premere brevemente il tasto SCAN (14); la radio inizierà automaticamente la scansione alla ricerca dei canali in uso e sul display verrà visualizzata l' indicazione SC (M). La scansione si arresta sul primo canale attivo trovato, per poi ripartire dopo circa 4 secondi dal termine della comunicazione. Se durante la scansione viene premuto il tasto PTT (15), la radio interromperà la scansione e si posizionerà sull' ultimo canale dove è avvenuta una comunicazione e la riprenderà dopo circa 14 secondi se nessuna trasmissione viene più ricevuta. Se viene ricevuto un segnale che include un codice CTCSS, la radio mostrerà quel canale con il corrispettivo codice. Se il codice ricevuto è diverso da quello pre-programmato, la radio non potrà comunicare con quel corrispondente.
2. Per uscire dalla modalità scansione, premere nuovamente il tasto SCAN (14).

Scansione automatica delle memorie programmate

1. Mantenere premuto per circa 3 secondi il tasto MENU (8) per entrare in MODALITA' MEMORIE. L' icona di memoria M (Q) inizia a lampeggiare sul display LCD.
2. Premere brevemente i tasti PTT (15) o CALL (6) per entrare in modalità RICHIAMO MEMORIE; la radio visualizzerà l' ultima memoria programmata.
3. Premere brevemente il tasto SCAN (14) per avviare la scansione automatica delle memorie programmate. Sul display verrà visualizzata l' indicazione SC (M).
4. La scansione si arresta sul primo canale attivo trovato, per poi ripartire dopo circa 4 secondi dal termine della comunicazione. Se durante la scansione viene premuto il tasto PTT (15), la radio interromperà la scansione e si posizionerà sull' ultimo canale programmato e la riprenderà dopo circa 14 secondi se nessuna trasmissione viene più ricevuta.
5. Per uscire dalla modalità scansione, premere nuovamente il tasto SCAN (14).
6. Per uscire dalla MODALITA' MEMORIE è necessario spegnere e riaccendere la radio.

FUNZIONE SCRAMBLER (MT-5050EX)

Attivando questa funzione è possibile ottenere conversazioni private all' interno del proprio gruppo di utenti, sfruttando uno speciale sistema di codifica del segnale. La radio dispone di 2 tipi diversi di codifica che possono essere però utilizzati esclusivamente con altri apparecchi dello stesso modello. Per selezionare il tipo di codifica desiderato procedere come segue :

1. Mantenere premuto il tasto LIGHT (12) per circa 3 secondi, finchè sul display LCD viene mostrata l' indicazione **Sc** (N) e la scritta SCR (F) inizia a lampeggiare..
2. Premere i tasti UP (5) o DOWN (6) per selezionare il tipo di codifica desiderato (01 o 02). Selezionando **OF**, la funzione verrà disabilitata.
3. Premere i tasti PTT (15) o CALL (6) per confermare la selezione e tornare in modalità Stand-by.
4. Quando la funzione SCRAMBLER viene attivata, sul display compare la scritta SCR (F).
5. Assicurarsi che gli altri membri del gruppo utilizzino il sistema SCRAMBLE e abbiano selezionato lo stesso tipo di codifica. In caso contrario le radio non potranno comunicare.
6. Per disabilitare la funzione SCRAMBLER ripetere i punti 1 e 2 e selezionare **OF**.

Avviso agli utenti

Ai sensi dell'art. 13 del decreto legislativo 25 luglio 2005, n. 15"Attuazione delle Direttive 2002/95/CE, 2002/96/CE e 2003/108/CE, relative alla riduzione dell'uso di sostanze pericolose nelle apparecchiature elettriche ed elettroniche, nonché allo smaltimento dei rifiuti".



Il simbolo del cassonetto barrato riportato sull'apparecchiatura indica che il prodotto alla fine della propria vita utile deve essere raccolto separatamente dagli altri rifiuti.

L'utente dovrà, pertanto, conferire l'apparecchiatura giunta a fine vita agli idonei centri di raccolta differenziata dei rifiuti elettronici ed elettrotecnici, oppure riconsegnarla al rivenditore al momento dell'acquisto di una nuova apparecchiatura di tipo equivalente, in ragione di uno a uno.

L'adeguata raccolta differenziata per l'avvio successivo dell'apparecchiatura dismessa al riciclaggio, al trattamento e allo smaltimento ambientalmente compatibile contribuisce ad evitare possibili effetti negativi sull'ambiente e sulla salute e favorisce il riciclo dei materiali di cui è composta l'apparecchiatura.

Lo smaltimento abusivo del prodotto da parte dell'utente comporta l'applicazione delle sanzioni amministrative di cui al dlgs. n. 22/1997" (articolo 50 e seguenti del dlgs. n. 22/1997).

Specifiche Tecniche - Accessori Opzionali

Italiano

Specifiche Tecniche

Canali	8 Canali PMR + 69 Canali LPD con 38 codici CTCSS
Gamma di Frequenza	UHF 446.00625 - 446.09375 MHz (Banda PMR) UHF 433.07500 - 434.77500 MHz (Banda LPD)
Alimentazione	7.5V (5 x AA 1,5V pile alcaline) 6.0V (5 x AA 1,2V batterie ricaricabili Ni-MH)
Potenza di uscita	0.5W ERP Alta / 0.01W ERP Bassa (Banda PMR) 0.01W ERP massimo (Banda LPD)
Dimensioni	A195 x L60 X P40 mm (antenna inclusa)
Peso	gr. 250 (batterie incluse)

Antenna Danneggiata

Non usare mai la radio se l' antenna è danneggiata. Se un' antenna danneggiata viene a contatto con la pelle, è possibile che accada una piccola bruciatura.

Informazioni Importanti sulle Batterie

Eliminate le batterie utilizzando gli appositi contenitori previsti nella vostra area. Le batterie possono provocare perdite di liquido elettrolita, se inserita in modo errato, gettata nel fuoco o se caricata in modo errato o con caricatori diversi da quello originale.

Accessori Opzionali

MT-SM100	Microfono-Auricolare esterno con Clip per cravatta
MT-SM200	Microfono-Auricolare esterno con Clip per cravatta
SM-007-A1	Microfono-Auricolare trasparente adatto per uso Sicurezza
HS-2PIN-S/INT	Kit per motociclisti (per casco integrale)
HS-2PIN-S/JET	Kit per motociclisti (per casco aperto)
DDC-500	Caricatore elettronico da tavolo di tipo rapido
SMA-505	Adattatore per antenne con connettore SMA (MT-5050EX)
KA-505	Antenna flessibile in gomma da 20cm con attacco SMA (MT-5050EX)

Informazioni Importanti

Importante !

Modifiche o interventi sulla radio possono farvi perdere la vostra autorizzazione ad utilizzare il prodotto. Questa ricetrasmittente è progettata per trasmettere un segnale regolato su specifiche frequenze assegnate. E' una violazione della legge modificare i settaggi o le regolazioni interne della radio per eccedere questi limiti. Qualsiasi regolazione o intervento tecnico sul prodotto deve essere effettuata unicamente da un tecnico qualificato o da un centro di servizio autorizzato.

Per la sicurezza :

Non aprite mai il contenitore della radio (tranne per sostituzione delle batterie).

Non cambiate o sostituite nulla all' interno della radio (tranne le batterie).

La vostra radio potrebbe occasionalmente causare delle interferenze radio o TV, anche se utilizzata correttamente. Per determinare se queste interferenze sono causate dalla vostra radio spegnete l' apparecchio. Se le interferenze sono cessate, la causa è la vostra radio. Per eliminare il problema, spostate la radio più lontana dal ricevitore radio o TV disturbato. Se le interferenze persistono, non usate la radio in tale luogo.

Luoghi pericolosi :

Non utilizzate la radio in luoghi pericolosi, esempio presenza di esplosivi o di dispositivi sensibili alle trasmissioni radio, all' interno di aeromobili.

Cura e Manutenzione :

Per pulire la radio, usare un panno soffice inumidito con l' acqua. Non usate assolutamente solventi o prodotti simili, in quanto gli stessi possono danneggiare il contenitore della radio, lo schermo LCD e penetrare all' interno della radio, causando danni al circuito e alle batterie. **Non immergete assolutamente la radio nell' acqua e non usatela in ambiente umido.** Se la radio si bagna accidentalmente, spegnetela e rimuovete la batteria immediatamente. Asciugate bene la batteria e l' interno della radio con un getto di aria tiepida, per rimuovere ogni residuo di acqua o umidità. Lasciate la radio aperta senza la batteria per almeno una notte in modo che la stessa si asciughi completamente.

Avviso :

Il contenuto di questo manuale è stato attentamente controllato, tuttavia il fabbricante non assume alcuna responsabilità per problemi derivanti da errori e omissioni nel testo. Nessuna parte di questo manuale può essere riprodotta o utilizzata in ogni modo, senza autorizzazione specifica del fabbricante.

Avvertenze Importanti - Garanzia Limitata

Avvertenze Importanti !



QUESTO PRODOTTO E' DESTINATO AL MERCATO ITALIANO E PERTANTO L' IMPIEGO DELLO STESSO E' SOGGETTO ALLE NORME DI LEGGE IN VIGORE IN ITALIA.

Nella maggior parte dei paesi CEE, l' impiego di ricetrasmittitori LPD e PMR 446 è libero, in conformità con le direttive CEE e l' utente non è soggetto ad alcuna tassa, concessione, autorizzazione o licenza d' uso. In alcuni paesi, tuttavia, la regolamentazione può essere differente; si consiglia pertanto di verificare la stessa presso il vostro rivenditore prima di utilizzare l' apparecchio.

Avvertenza ! Utilizzo degli apparecchi Multi-Standard

Il prodotto è del tipo Multi-Standard (DUAL BAND) e può essere utilizzato in tutti i paesi europei ed in alcuni paesi extra europei, ma solamente nei canali ammessi secondo le normative di ciascun paese.

PMR446 (8 canali) : Austria, Belgio, Rep. Ceca, Danimarca, Finlandia, Francia, Germania, Grecia, Islanda, Irlanda, **Italia**, Lussemburgo, Norvegia, Olanda, Polonia, Portogallo, Spagna, Svezia, Svizzera, UK, Turchia

LPD433 (69 canali) : Austria, Francia, Germania, Grecia, Norvegia, Olanda, Russia, Svezia

BANDA PMR : L' uso di questo apparecchio può essere soggetto a restrizioni nazionali (per l' uso in Italia è richiesta l' autorizzazione generale come da D.I. 259 del 01-08-03 art. 99 comma 3; All. 25 art. 36). E' sufficiente presentare una semplice dichiarazione e versare un modesto canone annuo (da 12 euro indipendente dal numero degli apparati).

Garanzia Limitata

Questo prodotto é garantito contro difetti nei materiali e nella lavorazione, in condizioni di uso e servizio normali, per un periodo di un anno, sempre che il prodotto sia ritornato senza spese al rivenditore presso cui é stato acquistato, accompagnato dallo scontrino fiscale o altro documento di acquisto, comprovante la data effettiva di acquisto. Questa garanzia non copre difetti o danni derivanti da abuso, uso improprio, modifiche non autorizzate, perdita di liquidi delle batterie, utilizzo in ambiente inadatto o normale deperimento d' uso.

Tutti i valori presenti nel manuale sono misurati in condizioni ottimali di utilizzo. Tutti i disegni, i testi e le caratteristiche tecniche non sono impegnativi e possono essere variati in qualunque momento.

Dichiarazione di Conformità

Italiano

DICHIARAZIONE DI CONFORMITA'

Con la seguente dichiarazione si attesta che i prodotti :

INTEK MT-5050D

soddisfano tutte le norme tecniche applicabili ai suddetti prodotti secondo le Direttive Comunitarie 73/23/EEC, 89/336/EEC e 99/5/EC.

Tipo di prodotto : Ricetrasmittitore LPD / PMR 446

Dettagli degli standard applicati : EN 300 220-1, EN 301 489-1-3, EN 60065
EN 300 296, EN 301 489-5, EN 60065

Produttore : **INTEK S.R.L.**
Via G. Marconi, 16
20090 Segrate (Mi)
Tel. 02-26950451 / Fax 02-26952185
E-Mail intek.com@intek-com.it

Punto di contatto : Armando Zanni
Tel. 02-26950451 / Fax 02-26952185
E-Mail infointek@tin.it

Segrate, 10/01/2008

dr. Vittorio Zanetti (amministratore unico)

INTEK[®]

MT-5050

N. di serie : _____

Data: _____

Timbro e firma del rivenditore



Prodotto importato e distribuito da

INTEK S.R.L.

Via G. Marconi, 16 - 20090 Segrate (MI) - Tel. 02-26950451 - Fax. 02-26952185
www.intek-com.it / e-mail : intek.com@intek-com.it

