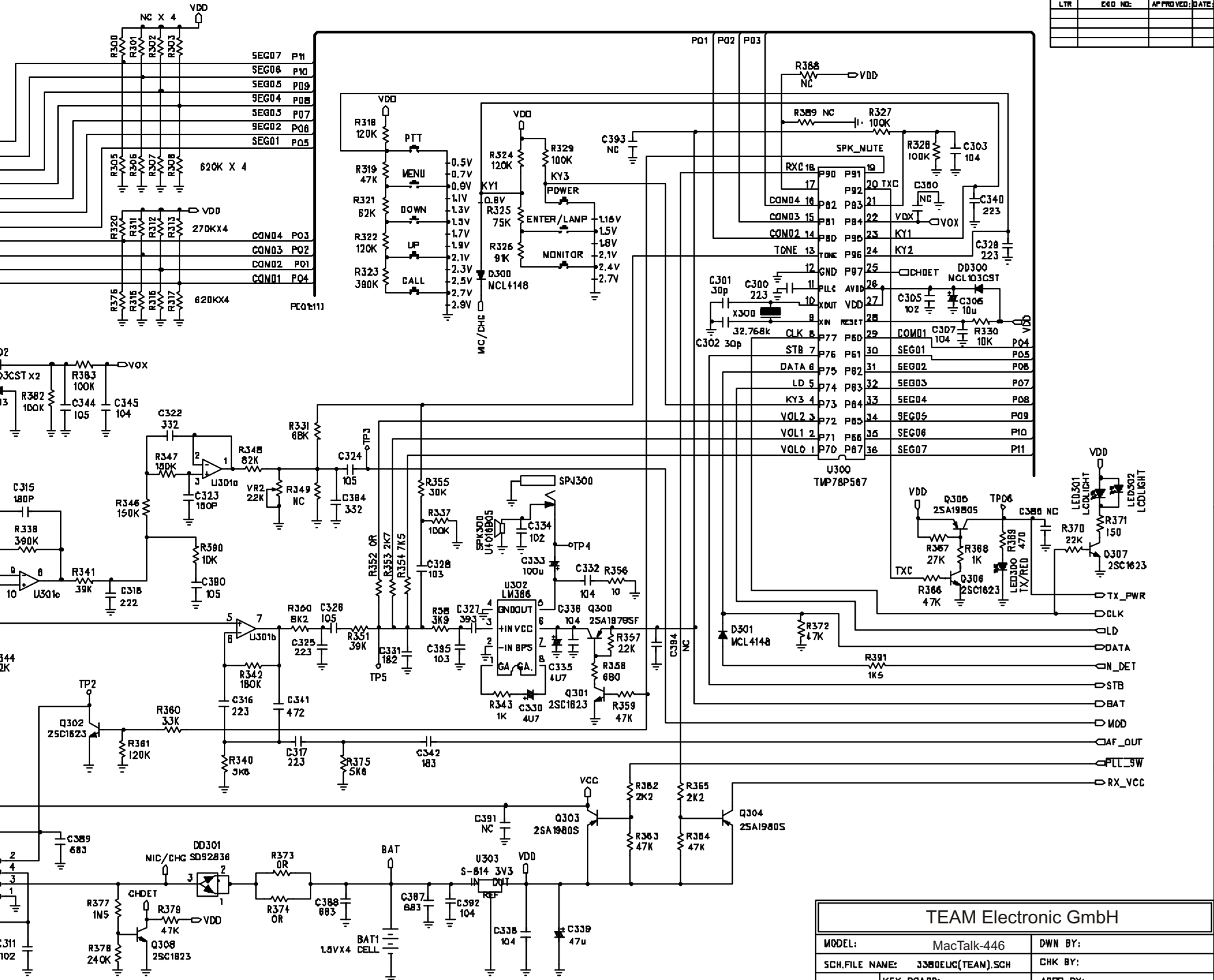
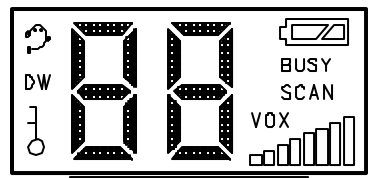
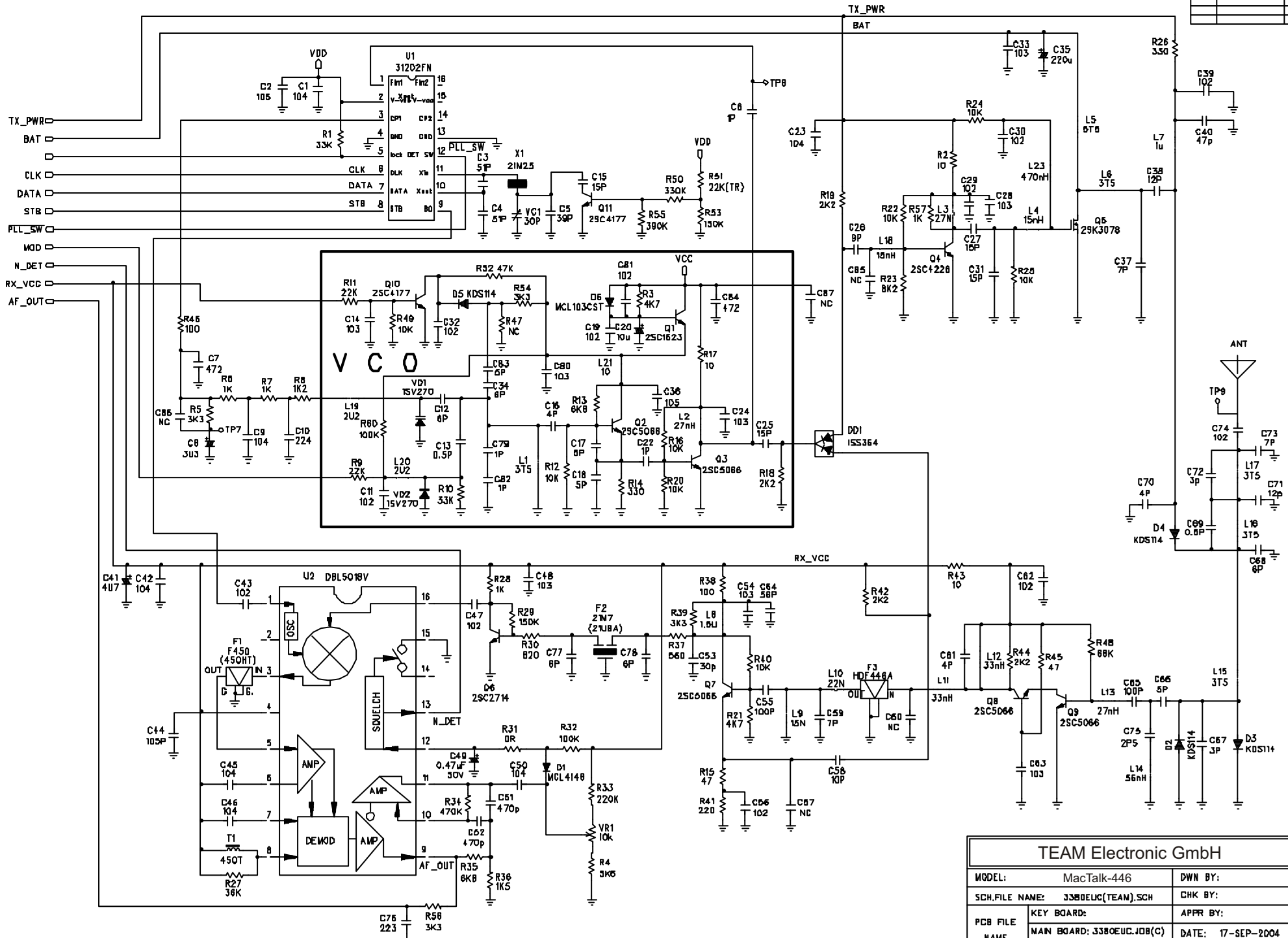


REVISION RECORD			
LTR	CHG. NO.	APPROVED	DATE



TEAM Electronic GmbH			
MODEL:	MacTalk-446	DWN BY:	
SCH. FILE NAME:	3380ELUC(TEAM).SCH	CHK BY:	
PCB FILE NAME:	KEY BOARD:	APPR BY:	
	MAIN BOARD: 3380ELUC_JOB(C)	DATE:	17-SEP-2004
	CPU BOARD:	SHEET:	1 OF 2
		REV:	4

REVISION RECORD		
LTR	CHG. NO.	APPROVED DATE



TEAM Electronic GmbH			
MODEL:	MacTalk-446	DWN BY:	
SCH. FILE NAME:	J380EUC(TEAM).SCH	CHK BY:	
PCB FILE NAME	KEY BOARD:	APPR BY:	
	MAIN BOARD: J380EUC.JOB(C)	DATE:	17-SEP-2004
	CPU BOARD:	SHEET:	2 OF 2
		REV:	4